

19" TFT LCD Display

Medical Application



Where Versatility Meets Flexibility

MA19BH

| Configuration | | MA19BH |
|----------------------------|-------------------------------------|--|
| LCD Display | | 19" TFT active matrix panel |
| Pixel Pitch | | 0.294 (H) x 0.294 (V) mm |
| Max. Resolution | | SXGA 1280 x 1024 |
| Contrast Ratio | | 1000:1 (Typ.) <small>w/o sensor or glass</small> |
| Brightness | | 400 cd/m ² (Typ.) <small>w/o sensor or glass</small> |
| Response Time (Tr+Tf) | | 5 ms (Typ.) |
| Display Color | | 16.7M |
| Effective Display Area | | 376.4 (H) x 301.1 (V) mm |
| Viewing Angle (CR ≥ 10) | | 170°(H) x 160°(V) (Typ.) <small>w/o sensor or glass</small> |
| Lamp Life (hr) / Backlight | | 50,000 (Typ.) / CCFL |
| Stand Base | | Tilt down : -5°, Tilt up : +90° |
| Input Signals | | Analog, Digital |
| Signal Connector | Analog Digital | D-Sub15 pin (VGA) DVI-D |
| Scan Frequency | | 60 ~ 75 Hz |
| Audio System | | 1W / per channel driver |
| Touch Panel | | 5 wire Resistive |
| Touch Interface | | RS-232 x1 or USB A type x1 |
| Key Control | | Power on/off, with LED, Menu, Select, Adjustment (+, -) |
| Power | | Universal 100~240V, 50~60 Hz 1.5A AC input |
| Operating Condition | Temperature Humidity Altitude | 0°C - 40°C (32°F - 104°F) 10% - 90% (no condensation) To 10,000 feet |
| Storage Condition | Temperature Humidity | -20°C - 60°C (-4°F - 140°F) 10% - 90% (no condensation) |
| Dimensions (WxHxD) | | 438.0 x 417.5 x 180.0 mm |
| Carton Dimensions (WxHxD) | | 530.0 x 500.0 x 230.0 mm |
| Weight (Net) | | 8 kg |
| Certification | | CE, FCC, UL60601-1, TUV EN60601-1 |

* Specifications are subject to change without notice.

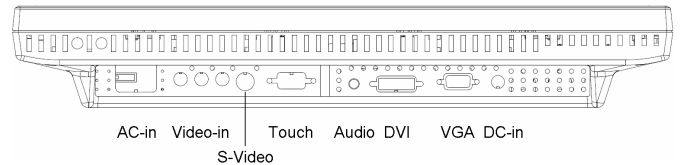
Features

- ⊙ High contrast color TFT LCD display support resolution up to 1280 x 1024. Compatible with IBM, VGA, VESA standards.
- ⊙ Support DDC 1/2B for Plug & Play compatibility.
- ⊙ Advanced OSD control for picture quality adjustment.
- ⊙ Auto detects multi-signals input.
- ⊙ Optional front panel sealed to resist dust and splashes.
 - AG / AR tempered glass : IP54
 - Resistive / Capacitive Touch Panel : IP54
- ⊙ VESA mounting.
- ⊙ RoHS Compliance.

Optional Accessories

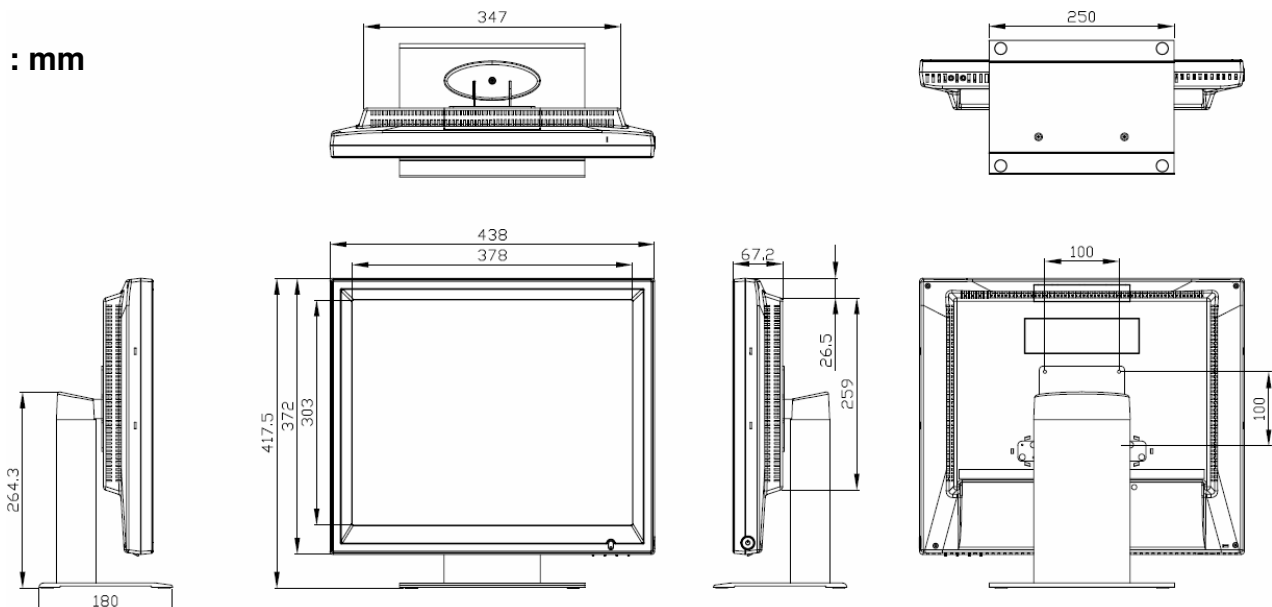
- ⊙ Anti-Glare / Anti-Reflective tempered glass (MOQ) .
- ⊙ Capacitive Touch Solution (MOQ) .
- ⊙ Choice of black or white housing (MOQ) .
- ⊙ Video Signal input (MOQ) .
 - Signal Connector : RCA / S-Video
 - NTSC / PAL / SECAM video systems compatible .

I / O Port



Mechanical Drawing

Unit : mm



For more information please contact

 Tel:+886-2-2264-1991 | Fax:+886-2-2264-7535 | www.GVISION.com.tw