

Features

- Rugged metal offering strong protection
- High contrast color TFT LCD display supports resolution up to 800 x 480
- Zero-Bezel for seamless design, IP65 rated
- Projected capacitive touch screen, with Multi touch
- Advanced OSD control for picture quality adjustment
- VESA mount, OEM mounting design



Application

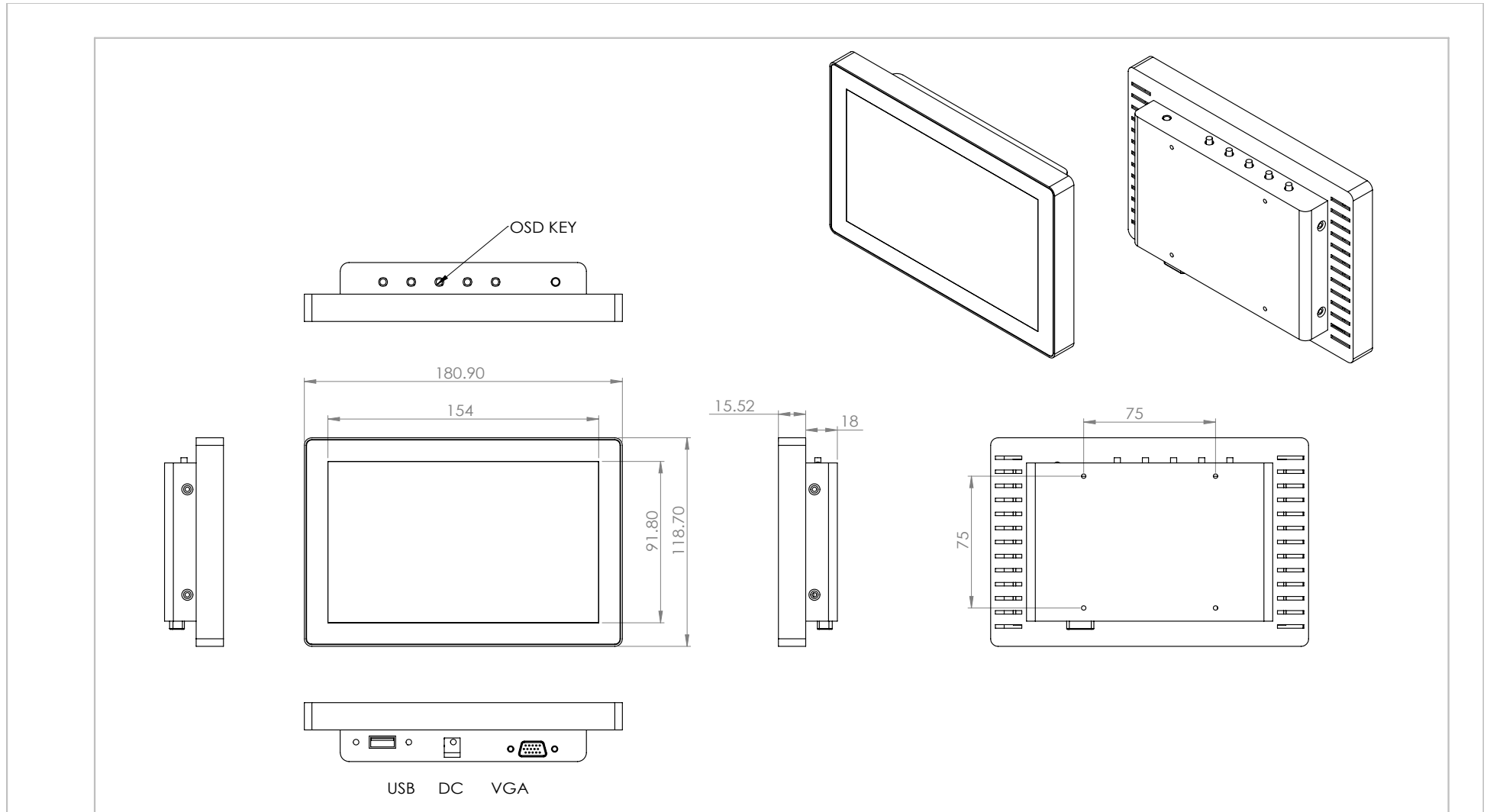
- Embedded display Unit
- Industrial automation LCD panel
- Gaming, Lottery & Amusement Display
- Touch screen display panel
- Kiosks, Arcade games, Hospitality Display, ATM Machines
- Aviation simulators, Industrial test equipment, and Instrumentation

SPECIFICATION		
Display	Display Type	TFT LCD
	Display Size	7 inch diagonal
	Display Area	152.4 (H) x 91.44 (V) mm
	Max. Resolution	800 x 480
	Colors	16.2M
	Brightness	400 cd/m ²
	Response Time	30 ms (Typ.)
	Viewing angle	160° (H) x 160° (V)
	Contrast Ratio	750:1
	Backlight Life	50,000 hrs (Min.) / LED
Touch Screen	Technology	Projected capacitive touch
	Type	USB A or RS-232
	OS Support	Windows XP, Vista7, 8, XPe and Linux
Signal Input	Video	VGA & DVI-D
	(Optional)	HDMI / Display Port / S-Video / AV / BNC
Power Input	Aadptor	Universal power adaptor
		Input AC 100~240V, 50~60Hz Output DC 12V / 3A, 36W
Certification	EMC Compliance	TBD
Environments & Dimension	IP Level	IP65 front panel compliant
	Compliance	RoHS II, WEEE
	Operating Temperature	-20°C~70°C (-4°F~157°F)
	Storage Temperature	-30°C~80°C (-22°F~175°F)
	Relative Humidity	10%~90% non-condensing
	Mounting	VESA 75 x 75mm
	Dimension (W x H x D)	183.35 x 122.44 x 38mm
Weight	1.9 kg	

All Specifications and photo are subject to change without notice

NO160106

Dimensions



All Specifications and photo are subject to change without notice

NO160106