



GVISION's P12DS/EX is a 12" POS solution with a slim bezel design which maximizes screen space yet does not take up additional room. The P12DS/EX provides reliable and durable operation for retail POS and hospitality markets. The P12DS/EX can be easily integrated with a variety of POS or PC systems. It is ideal for demanding usage which requires a highly stable monitor and resilient touchscreen. Touch technology can be customized for your projects.



- Slim bezel
- Durable design
- Customizable touch technology

For more information please contact

Tel:+886-2-2264-1991 | Fax:+886-2-2264-7535 | www.GVISION.com.tw

PARAMETER		SPECIFICATION	
LCD Display		12" TFT active matrix panel	
Pixel Pitch	P12DS	0.308 (H) x 0.308 (V) mm	
	P12EX	0.240 (H) x 0.240 (V) mm	
Max. Resolution	P12DS	SVGA 800 x 600	
	P12EX	XGA 1024 x 768	
Contrast Ratio		700:1 (Typ.)	w/o sensor or glass
Brightness	P12DS	450 cd/m ² (Typ.)	
	P12EX	500 cd/m ² (Typ.)	
Response Time (Tr+Tf)		35 ms (Typ.)	
Display Color		16.2M	
Effective Display Area		246 (H) x 184.5 (V) mm	
Viewing Angle (CR≥10)	P12DS	160°(H) x 140°(V) (Typ.)	
	P12EX	160°(H) x 160°(V) (Typ.)	
Lamp Life (hr) / Backlight		50,000 (Min.) / LED	
Stand Base	L type	Tilt down : -5° , Tilt up : +60°	
	J type	Tilt down : 0° , Tilt up : +55°	
Input Signals		Analog	
Signal Connector	Analog	D-Sub15 pin (VGA)	
Scan Frequency		60 ~ 75 Hz	
Audio System		1W per channel	
Touch Panel		5-wire Resistive	
Touch Interface		RS-232 or USB A type	
Power		Universal Power Adapter Input AC 100 ~ 240V, 50 ~ 60 Hz Output DC 12V / 3A, 36W	
Operating	Temperature	0°C ~ 40°C (32°F ~ 104°F)	
	Humidity	10% ~ 90% (no condensation)	
	Altitude	To 10,000 feet	
Storage	Temperature	-20°C ~ 60°C (-4°F ~ 140°F)	
	Humidity	10% ~ 90% (no condensation)	
Dimensions (WxHxD)		312.0 x 310.4 x 146.0 mm	
Carton Dimensions (WxHxD)		438.0 x 460.0 x 214.0 mm	
Weight (Net)		4 kg	
Certification	EMC	CE/FCC	
	Safety	UL/c-UL	
	Other	RoHS / WEEE	
Standard Pallet Loading (by sea)		40 units (1070 [L] x 880 [W] x 1960 [H] mm)	
Standard Pallet Loading (by air)		30 units (1070 [L] x 880 [W] x 1500 [H] mm)	

FEATURES

- High contrast color TFT LCD display supports resolution up to 800 x 600 (P12DS) or 1024 x 768 (P12EX).
- Compatible with VGA, IBM and VESA signal standards (resolution/timing auto-detected)
- Supports DDC 1/2B for Plug & Play compatibility
- Advanced OSD control for picture quality adjustment
- Rugged all-metal fully enclosed chassis
- VESA standard mounting
- RoHS Compliance

OPTIONS

- Anti-Glare / Anti-Reflective tempered glass
- Sunlight Readable
- IP54 / IP65 waterproof & dustproof sealed front bezel
- Touch sensor technologies: resistive, surface capacitive projective capacitive, SAW, IR
- Video Signal input
 - Signal Connector: RCA / S-Video
 - NTSC / PAL / SECAM video

TOUCH SENSOR SPECIFICATION

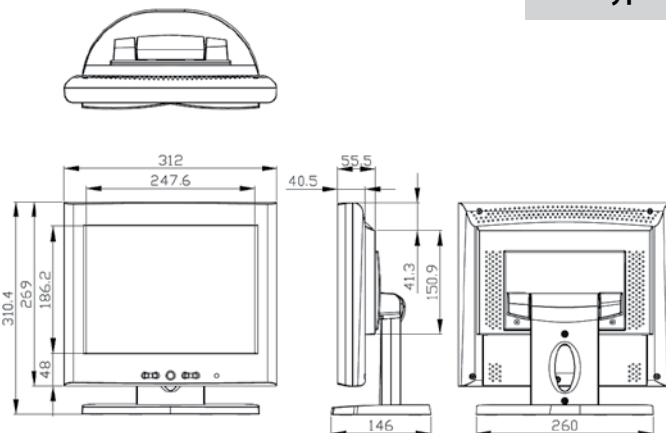
Type	5W Resistive	Capacitive
Transmission	80% ± 2%	91.5% ± 1.5%
Interface	USB or RS-232	USB or RS-232
Durability	30 million times	3-years
OS Support	DOS ; Windows Linux Mac OS X / OS 9.x	

* Specifications are subject to change without notice.

MECHANICAL DRAWING

Unit : mm

L Type



J Type

