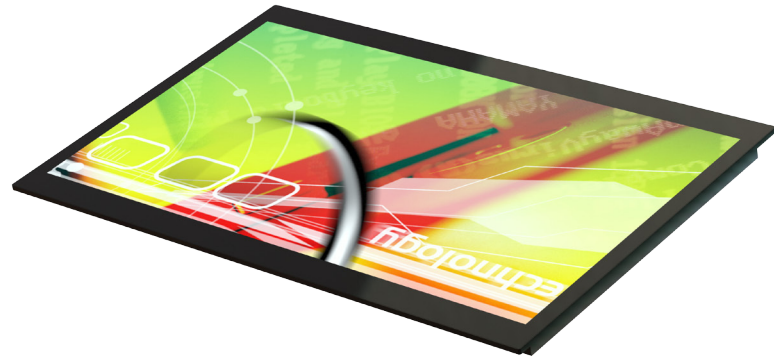


### Features

- Flat front surface design built in for elegant modern aesthetics
- Slim thickness provides sleek low profile appearance while enabling easy integration on wall, table or enclosure
- Rugged metal offering strong protection
- High brightness performance up to 700 cd/m<sup>2</sup>
- Multi-Touch enabling up to 10 touch points
- IP65 sealed front panel
- Wall mount bracket kits for portrait or landscape viewing



### Recommended Multi-Touch Applications

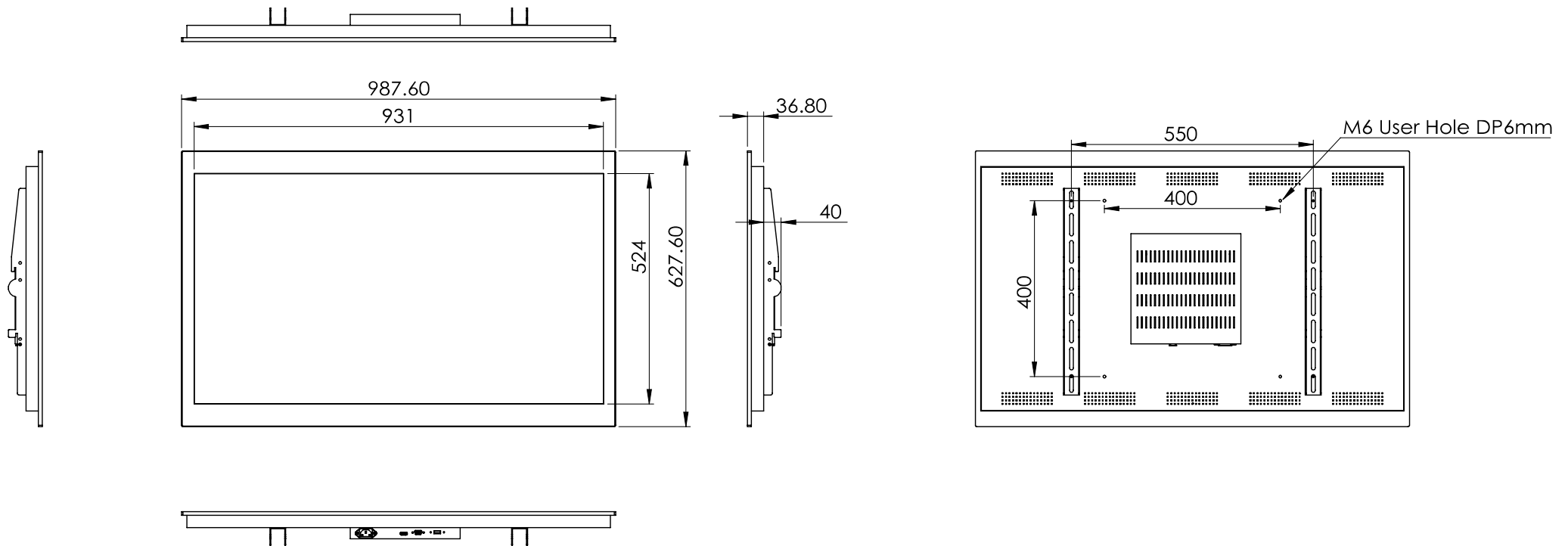
- Interactive Digital Signage
- Transportation
- Wayfinding
- Security Monitoring Systems
- Training and Simulation
- Tele-presence
- Retail Product Selectors
- Ticketing / Vending
- Point of Information
- Pro Audio / Visual
- Geospatial
- Broadcast

SPECIFICATION		
Display	Display Type	TFT LCD
	Display Size	42 inch diagonal
	Display Area	930.24 (H) x 523.26 (V) mm
	Max. Resolution	1920 x 1080
	Colors	1.07 billion
	Brightness	500 cd/m <sup>2</sup> (nit) typical 700 cd/m <sup>2</sup> (nit) typical
	Response Time	8 ms typical
	Viewing angle	178° (H) x 178° (V)
	Contrast Ratio	4000:1 typical
	Backlight Life	50,000 hrs (Min.) / LED
Touch Screen	Technology	10 points with projected capacitive touch
	Type	USB
	OS Support	Windows 8, 7, XP, Vista, XPe and Linux
Signal Input	Video	VGA & DVI-D
	(Optional)	HDMI / Display Port / S-Video / AV / BNC
Power Input	Aadptor	Internal power supply with universal / Auto-Sensing AC 100~240V, 50~60Hz
Certification	EMC Compliance	TBD
Environments & Dimension	IP Level	IP65 front panel compliant
	Compliance	RoHS II, WEEE
	Operating Temperature	0°C~50°C (32°F~121°F)
	Storage Temperature	-20°C~60°C (-4°F~140°F)
	Relative Humidity	10%~90% non-condensing
	Mounting	Wall Mount
	Dimension ( W x H x D )	987.6 x 627.6 x 76.8mm
Weight	38kg	

All Specifications and photo are subject to change without notice

NO150917

### Dimensions



All Specifications and photo are subject to change without notice

NO150917