

Features

- Rugged metal offering strong protection
- High contrast color TFT LCD display supports resolution up to 1280 x 1024
- Compatible with VGA, IBM and VESA signal standards
- Advanced OSD control for picture quality adjustment
- Optional 5-Wire Resistive / Projected Capacitive / Infrared touch screen
- Optional High Brightness Display / Wide Temperature
- VESA mount, OEM mounting design

Application

- Embedded display Unit
- Industrial automation LCD panel
- Gaming, Lottery & Amusement Display
- Touch screen display panel
- Kiosks, Arcade games, Hospitality Display, ATM Machines
- Aviation simulators, Industrial test equipment, and Instrumentation

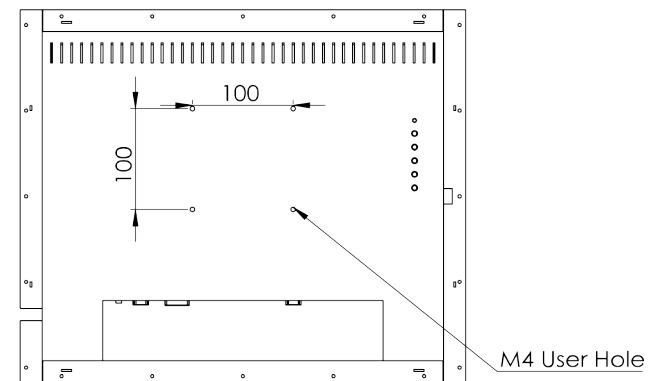
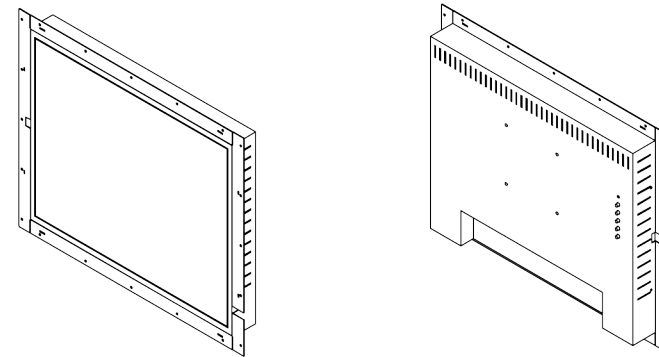
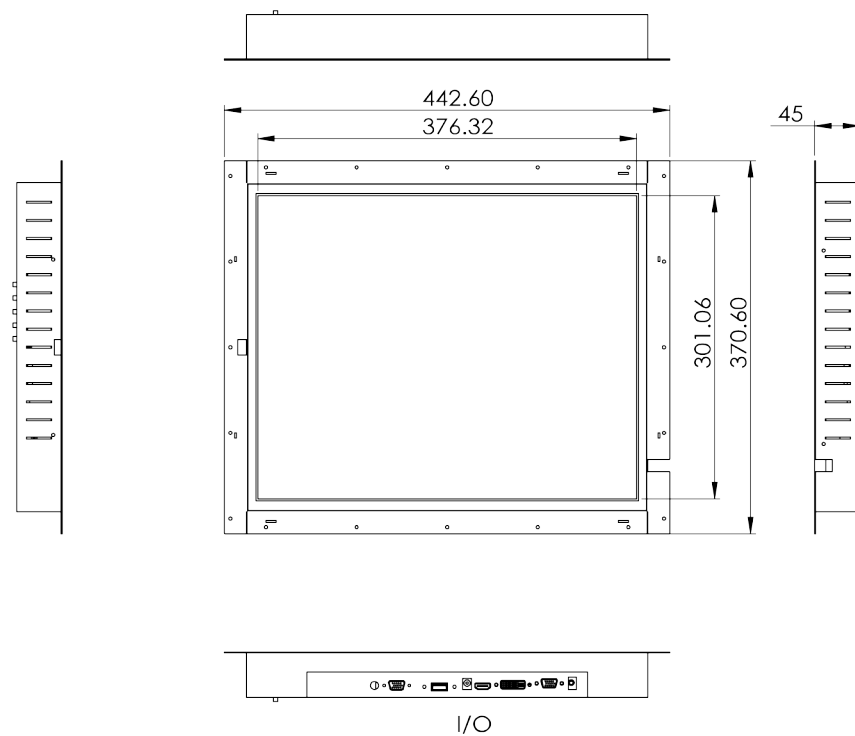


SPECIFICATION		
Display	Display Type	TFT LCD
	Display Size	19 inch diagonal
	Display Area	376.3 (H) x 301.0 (V) mm
	Max. Resolution	1280 x 1024
	Colors	16.7M
	Brightness	250 cd/m ²
	Response Time	5 ms (Typ.)
	Viewing angle	170° (H) x 160° (V)
	Contrast Ratio	1000:1
	Backlight Life	30,000 hrs (Min.) / LED
Touch Screen		5-wire resistive touch
	Technology	Projected capacitive touch Infrared touch
	Type	USB A or RS-232
Signal Input	OS Support	Windows XP, Vista7, 8, XPe and Linux
	Video	VGA & DVI-D
	(Optional)	HDMI / Display Port / S-Video / AV / BNC
Power Input	Aadptor	Universal power adaptor Input AC 100~240V, 50~60Hz Output DC 12V / 5A, 60W
Certification	EMC Compliance	TBD
Environments & Dimension	Compliance	RoHS II, WEEE
	Operating Temperature	0°C~50°C (32°F~121°F)
	Storage Temperature	-20°C~60°C (-4°F~140°F)
	Relative Humidity	10%~90% non-condensing
	Mounting	VESA 100 x 100mm
	Dimension (W x H x D)	442.6 x 370.6 x 45mm
	Weight	3.9kg

All Specifications and photo are subject to change without notice

NO150724

Dimensions



All Specifications and photo are subject to change without notice

NO150724