

Features

- Rugged metal offering strong protection
- High contrast color TFT LCD display supports resolution up to 1024 x 768
- Compatible with VGA, IBM and VESA signal standards
- Advanced OSD control for picture quality adjustment
- Optional 5-Wire Resistive / Projected Capacitive / Infrared touch screen
- Optional High Brightness Display / Wide Temperature
- VESA mount, OEM mounting design

Application

- Embedded display Unit
- Industrial automation LCD panel
- Gaming, Lottery & Amusement Display
- Touch screen display panel
- Kiosks, Arcade games, Hospitality Display, ATM Machines
- Aviation simulators, Industrial test equipment, and Instrumentation

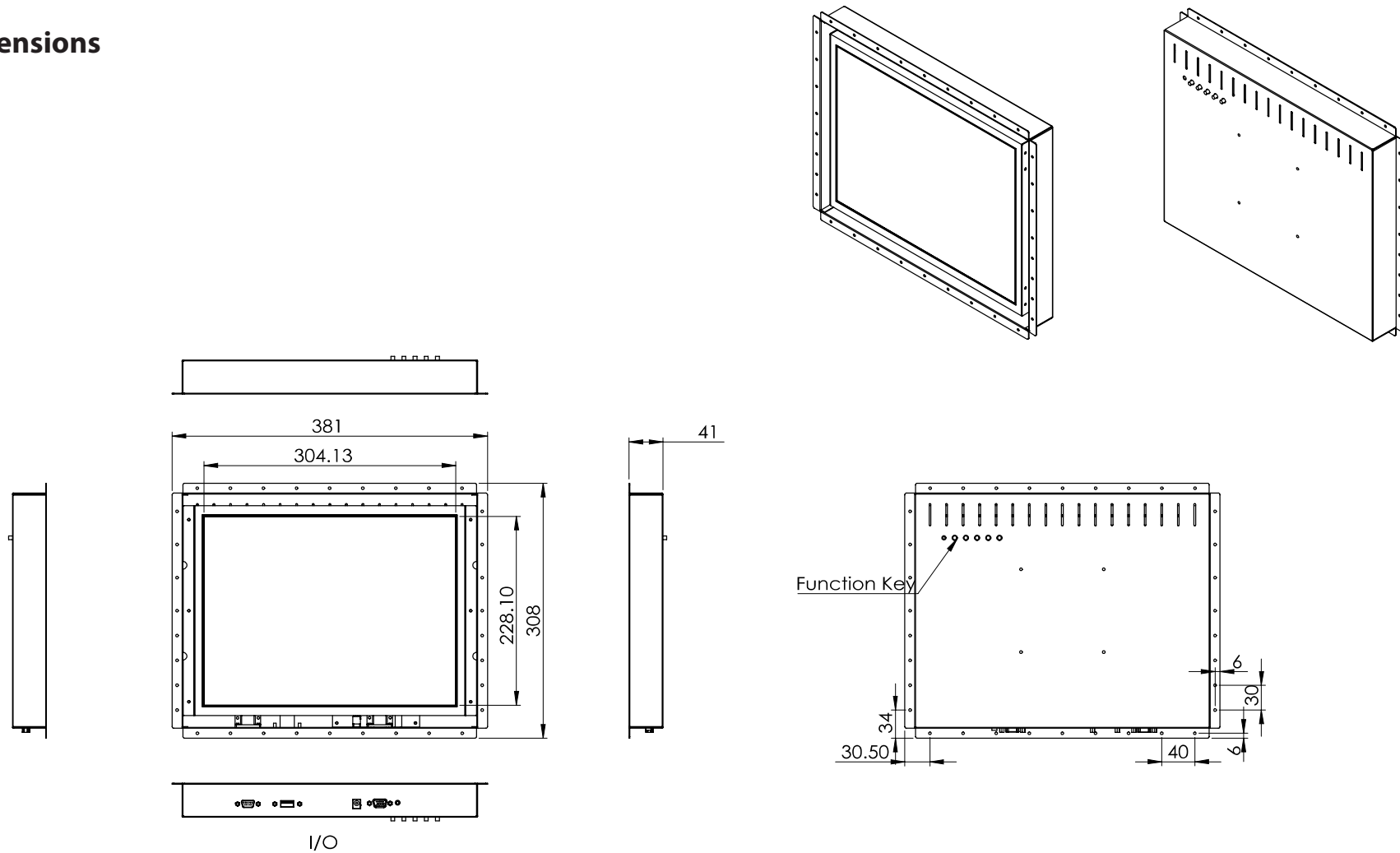


SPECIFICATION		
Display	Display Type	TFT LCD
	Display Size	15 inch diagonal
	Display Area	304.1 (H) x 228.0 (V) mm
	Max. Resolution	1024 x 768
	Colors	16.2M
	Brightness	350 cd/m ²
	Response Time	8 ms (Typ.)
	Viewing angle	170° (H) x 160° (V)
	Contrast Ratio	700:1
Touch Screen	Backlight Life	50,000 hrs (Min.) / LED
	Technology	5-wire resistive touch
		Projected capacitive touch
		Infrared touch
Type	USB A or RS-232	
Signal Input	OS Support	Windows XP, Vista7, 8, XPe and Linux
	Video	VGA & DVI-D
Power Input	(Optional)	HDMI / Display Port / S-Video / AV / BNC
	Aadptor	Universal power adaptor
		Input AC 100~240V, 50~60Hz
Certification	Output DC 12V / 3A, 36W	
	EMC Compliance	TBD
Environments & Dimension	Compliance	RoHS II, WEEE
	Operating Temperature	0°C~50°C (32°F~121°F)
	Storage Temperature	-20°C~60°C (-4°F~140°F)
	Relative Humidity	10%~90% non-condensing
	Mounting	VESA 100 x 100mm
	Dimension (W x H x D)	381 x 308 x 41 mm
	Weight	3kg

All Specifications and photo are subject to change without notice

NO150724

Dimensions



15 Inch Open Frame Monitor

All Specifications and photo are subject to change without notice

NO150724