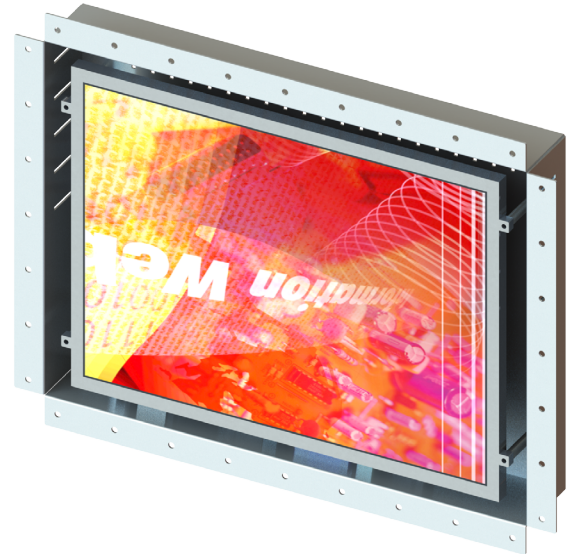


Features

- Rugged metal offering strong protection
- High contrast color TFT LCD display supports resolution up to 1024 x 768
- Compatible with VGA, IBM and VESA signal standards
- Advanced OSD control for picture quality adjustment
- Optional 5-Wire Resistive / Projected Capacitive / Infrared touch screen
- Optional High Brightness Display / Wide Temperature
- VESA mount, OEM mounting design

Application

- Embedded display Unit
- Industrial automation LCD panel
- Gaming, Lottery & Amusement Display
- Touch screen display panel
- Kiosks, Arcade games, Hospitality Display, ATM Machines
- Aviation simulators, Industrial test equipment, and Instrumentation



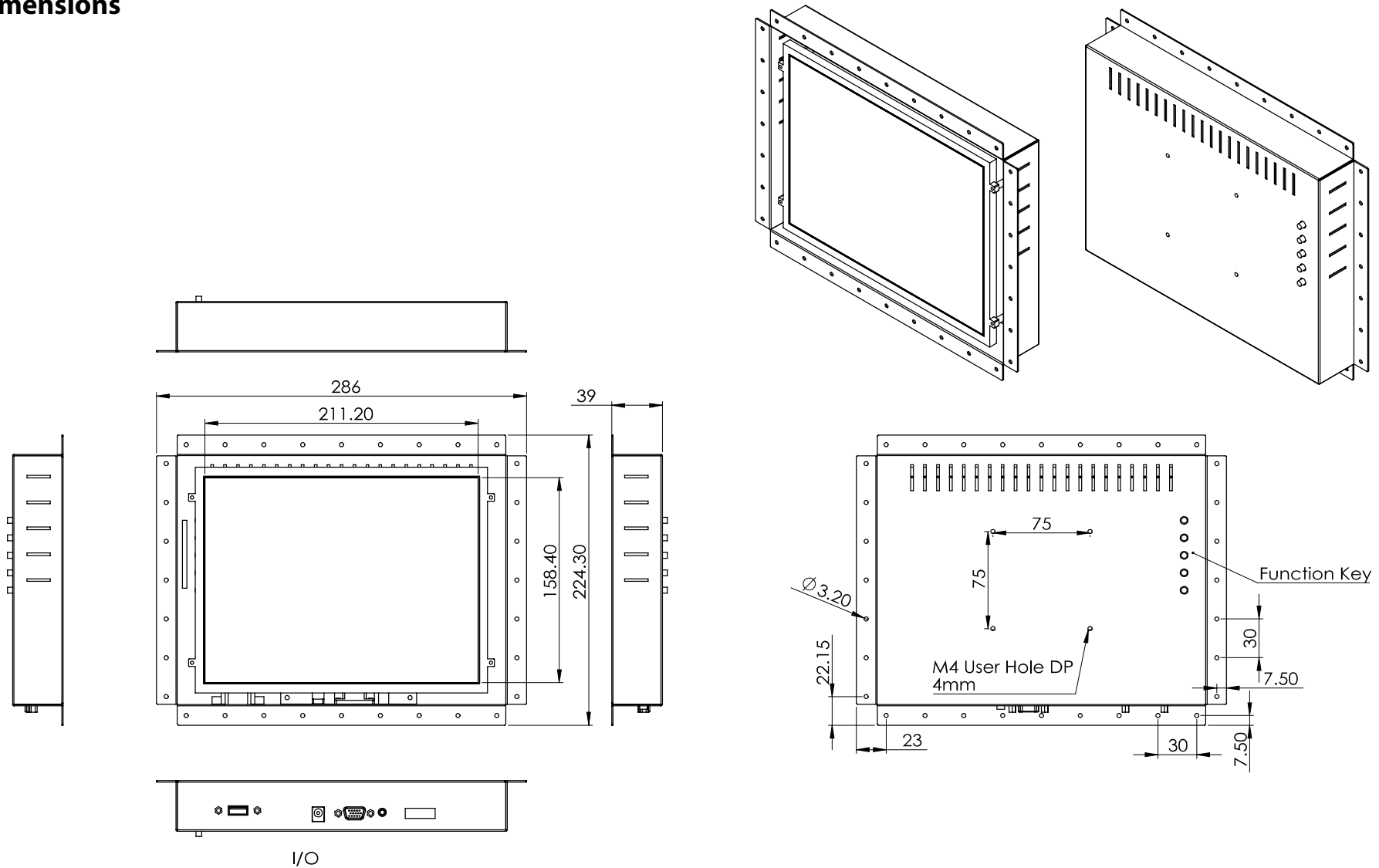
SPECIFICATION

Display	Display Type	TFT LCD
	Display Size	10.4 inch diagonal
	Display Area	210.4 (H) x 157.8 (V) mm
	Max. Resolution	1024 x 768
	Colors	16.2M
	Brightness	400 cd/m ²
	Response Time	30 ms (Typ.)
	Viewing angle	178° (H) x 178° (V)
	Contrast Ratio	1400:1
	Backlight Life	50,000 hrs (Min.) / LED
Touch Screen	Technology	5-wire resistive touch Projected capacitive touch Infrared touch
	Type	USB A or RS-232
	OS Support	Windows XP, Vista7, 8, XPe and Linux
Signal Input	Video	VGA & DVI-D
	(Optional)	HDMI / Display Port / S-Video / AV / BNC
Power Input	Aadptor	Universal power adaptor Input AC 100~240V, 50~60Hz Output DC 12V / 3A, 36W
	Certification	EMC Compliance TBD
Environments & Dimension	Compliance	RoHS II, WEEE
	Operating Temperature	-20°C~70°C (-4°F~157°F)
	Storage Temperature	-30°C~80°C (-22°F~175°F)
	Relative Humidity	10%~90% non-condensing
	Mounting	VESA 75 x 75mm
	Dimension (W x H x D)	286 x 244.3 x 39mm
	Weight	1.7kg

All Specifications and photo are subject to change without notice

NO150804

Dimensions



All Specifications and photo are subject to change without notice

NO150804