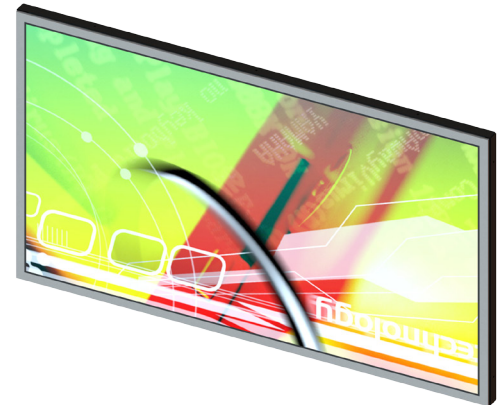


Features

- Rugged metal offering strong protection
- High contrast color TFT LCD display supports resolution up to 1920 x 1080
- Compatible with VGA, IBM and VESA signal standards
- Advanced OSD control for picture quality adjustment
- Optional 5-Wire Resistive touch screen
- Optional High Brightness Display / Wide Temperature
- VESA mount, OEM mounting design



Application

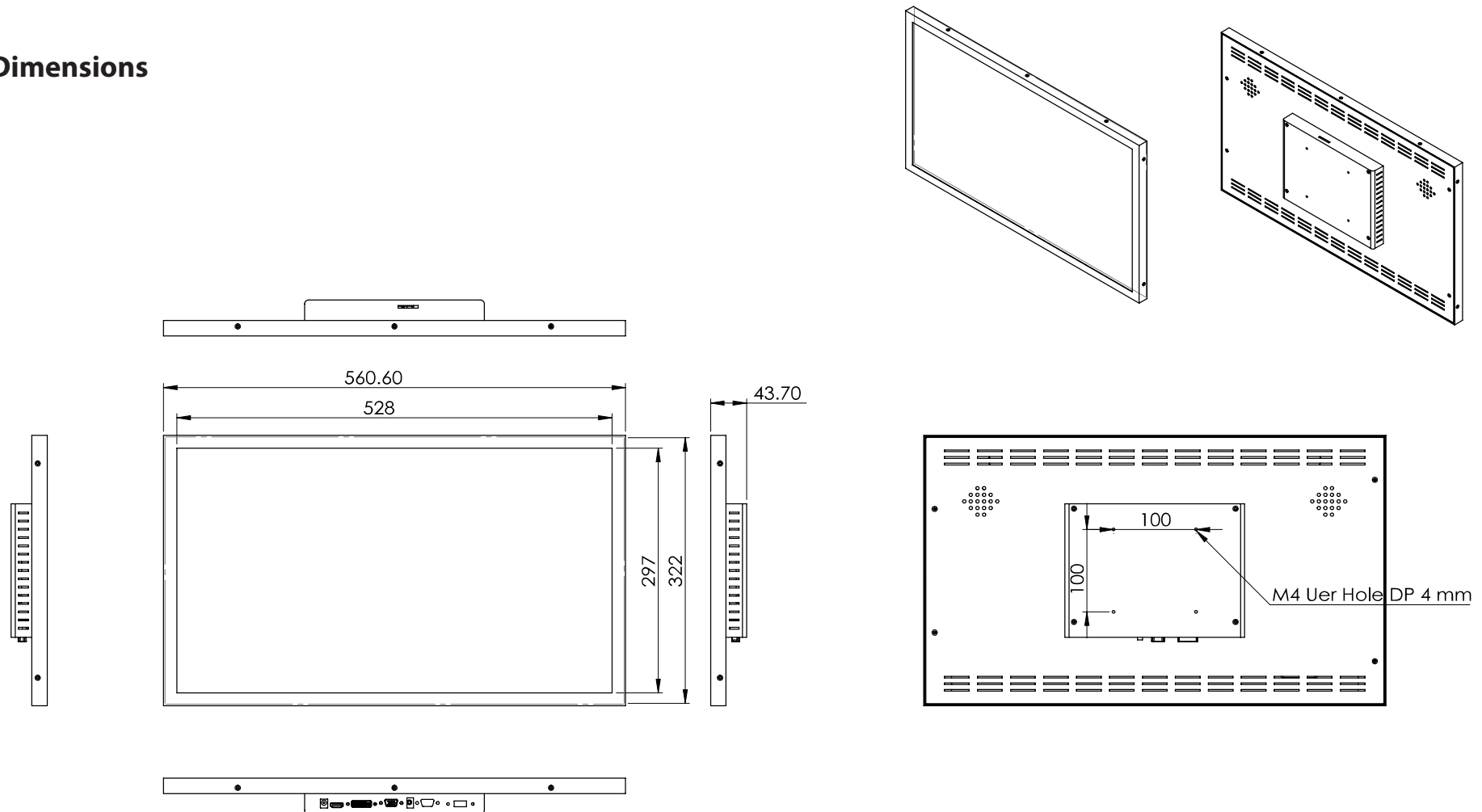
- Embedded display Unit
- Industrial automation LCD panel
- Gaming, Lottery & Amusement Display
- Touch screen display panel
- Kiosks, Arcade games, Hospitality Display, ATM Machines
- Aviation simulators, Industrial test equipment, and Instrumentation

SPECIFICATION		
Display	Display Type	TFT LCD
	Display Size	23.8 inch diagonal
	Display Area	527.04 (H) x 928.46 (V) mm
	Max. Resolution	1920 x 1080
	Colors	16.7M
	Brightness	250 cd/m ²
	Response Time	20 ms (Typ.)
	Viewing angle	178° (H) x 178° (V)
	Contrast Ratio	3000:1
	Backlight Life	30,000 hrs (Min.) / LED
Touch Screen	Technology	5-wire resistive touch Projected capacitive touch
	Type	USB A or RS-232
	OS Support	Windows XP, Vista7, 8, XPe and Linux
Signal Input	Video	VGA & DVI-D
	(Optional)	HDMI / Display Port / S-Video / AV / BNC
Power Input	Aadptor	Universal power adaptor Input AC 100~240V, 50~60Hz Output DC 12V / 5A, 60W
Certification	EMC Compliance	TBD
Environments & Dimension	Compliance	RoHS II, WEEE
	Operating Temperature	0°C~50°C (32°F~121°F)
	Storage Temperature	-20°C~60°C (-4°F~140°F)
	Relative Humidity	10%~90% non-condensing
	Mounting	VESA 100 x 100mm
	Dimension (W x H x D)	560.6 x 322 x 43.7mm
	Weight	5.5kg

All Specifications and photo are subject to change without notice

NO150715

Dimensions



23.8 Inch Open Frame Monitor

All Specifications and photo are subject to change without notice

NO150715