

10.4" TFT LCD Display

Industrial Application



Where Versatility Meets Flexibility

K10AS

Configuration	K10AS
LCD Display	10.4" TFT active matrix panel
Pixel Pitch	0.264 (H) x 0.264 (V) mm
Max. Resolution	SVGA 800 x 600
Contrast Ratio	700:1 (Typ.) <small>w/o sensor or glass</small>
Brightness	400 cd/m ² (Typ.) <small>w/o sensor or glass</small>
Response Time (Tr+Tf)	30 ms (Typ.)
Display Color	262K / 16.2M
Effective Display Area	211.2 (H) x 158.4 (V) mm
Viewing Angle (CR ≥ 10)	160°(H) x 140°(V) (Typ.) <small>w/o sensor or glass</small>
Lamp Life (hr) / Backlight	50,000 (Min.) / LED
Input Signals	Analog
Signal Connector	Analog D-Sub15 pin (VGA)
Scan Frequency	60 ~ 75 Hz
Touch Panel	5 wire Resistive
Touch Interface	RS-232 x1 or USB A type x1
Key Control	Power on/off, with LED, Menu, Select, Adjustment (+, -) Universal Power Adapter Input AC 100~240V, 50~60 Hz Output DC 12V / 3.3A, 40W
Power	
Operating Condition	Temperature 0°C - 40°C (32°F - 104°F) Humidity 10% - 90% (no condensation) Altitude To 10,000 feet
Storage Condition	Temperature -20°C - 60°C (-4°F - 140°F) Humidity 10% - 90% (no condensation)
Dimensions (WxHxD)	C Type : 265.5 x 207.3 x 46.0 mm F Type : 263.4 x 205.2 x 42.9 mm
Carton Dimensions (WxHxD)	432.0 x 117.0 x 310.0 mm
Weight (Net)	2.2 kg
Certification	CE, FCC

* Specifications are subject to change without notice.

Features

- ⊙ High contrast color TFT LCD display support resolution up to 800 x 600. Compatible with IBM, VGA, VESA standards.
- ⊙ Support DDC 1/2B for Plug & Play compatibility.
- ⊙ Advanced OSD control for picture quality adjustment.
- ⊙ Auto detects multi-signals input.
- ⊙ VESA mounting.
- ⊙ RoHS Compliance.

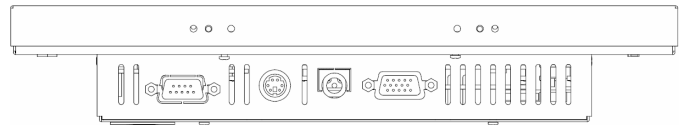
Optional Accessories

- ⊙ Anti-Glare / Anti-Reflective tempered glass (MOQ).
- ⊙ Sunlight Readable (MOQ).

(Project Base)

- ⊙ Video Signal input .
- Signal Connector : RCA / S-Video
- NTSC / PAL / SECAM video systems compatible .

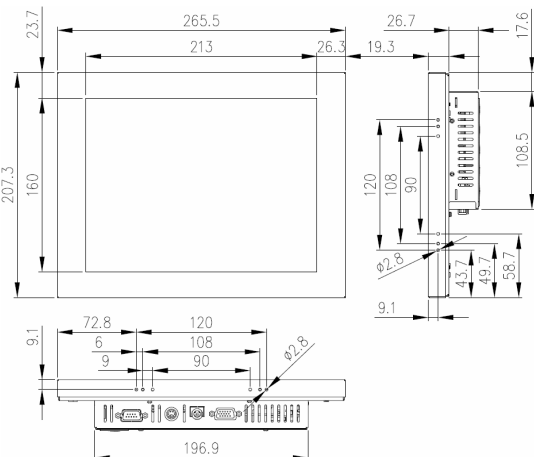
I / O Port



Touch OSD DC-in VGA

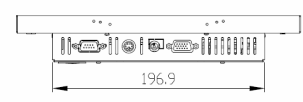
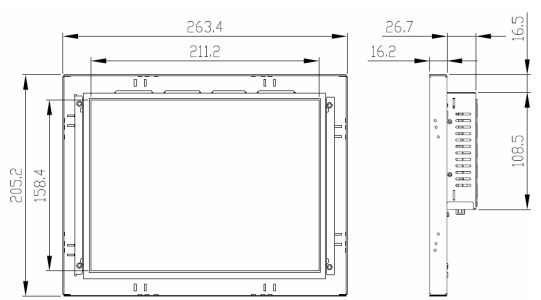
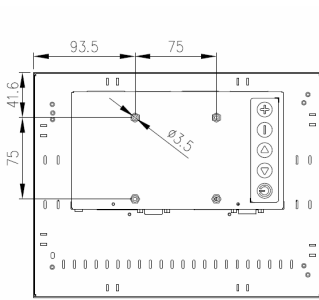
Mechanical Drawing

Unit : mm



C Type
chassis

F Type
Open Frame



For more information please contact

Tel:+886-2-2264-1991 | Fax:+886-2-2264-7535 | www.GVISION.com.tw