

## 10" TFT LCD Display

# POS Application



Where Versatility Meets Flexibility

## P10PS

Configuration	P10PS
LCD Display	10" TFT active matrix panel
Pixel Pitch	0.264 (H) x 0.264 (V) mm
Max. Resolution	SVGA 800 x 600
Contrast Ratio	400:1 (Typ.) <small>w/o sensor or glass</small>
Brightness	250 cd/m <sup>2</sup> (Typ.) <small>w/o sensor or glass</small>
Response Time (Tr+Tf)	25 ms (Typ.)
Display Color	262K
Effective Display Area	211.2 (H) x 158.4 (V) mm
Viewing Angle (CR≥10)	130°(H) x 110°(V) (Typ.) <small>w/o sensor or glass</small>
Lamp Life (hr) / Backlight	30,000 (Typ.) / CCFL
Stand Base	Tilt down : +26°, Tilt up : +90°
Input Signals	Analog
Signal Connector	Analog D-Sub15 pin (VGA)
Scan Frequency	60 ~ 75 Hz
Audio System	1W / per channel driver
Touch Panel	5 wire Resistive
Touch Interface	RS-232 x1 or USB A type x1
Key Control	Power on/off, with LED, Menu, Select, Adjustment (+, -)
Power	Universal Power Adapter Input AC 100~240V, 50~60 Hz Output DC 12V / 3.3A, 40W
Operating Condition	Temperature 0°C - 40°C (32°F - 104°F) Humidity 10% - 90% (no condensation) Altitude To 10,000 feet
Storage Condition	Temperature -20°C - 60°C (-4°F - 140°F) Humidity 10% - 90% (no condensation)
Dimensions (WxHxD)	278.0 x 242.0 x 116.1 mm
Carton Dimensions (WxHxD)	432.0 x 117.0 x 310.0 mm
Weight (Net)	1.64 kg
Certification	CE, FCC, UL, C-UL

\* Specifications are subject to change without notice.

### Features

- ⊙ High contrast color TFT LCD display support resolution up to 800 x 600. Compatible with IBM, VGA, VESA standards.
- ⊙ Support DDC 1/2B for Plug & Play compatibility.
- ⊙ Advanced OSD control for picture quality adjustment.
- ⊙ Auto detects multi-signals input.
- ⊙ VESA mounting.
- ⊙ RoHS Compliance.

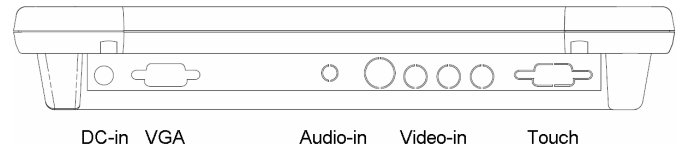
### Optional Accessories

- ⊙ Anti-Glare / Anti-Reflective tempered glass (MOQ) .
- ⊙ Choice of black or beige housing .

( Project Base)

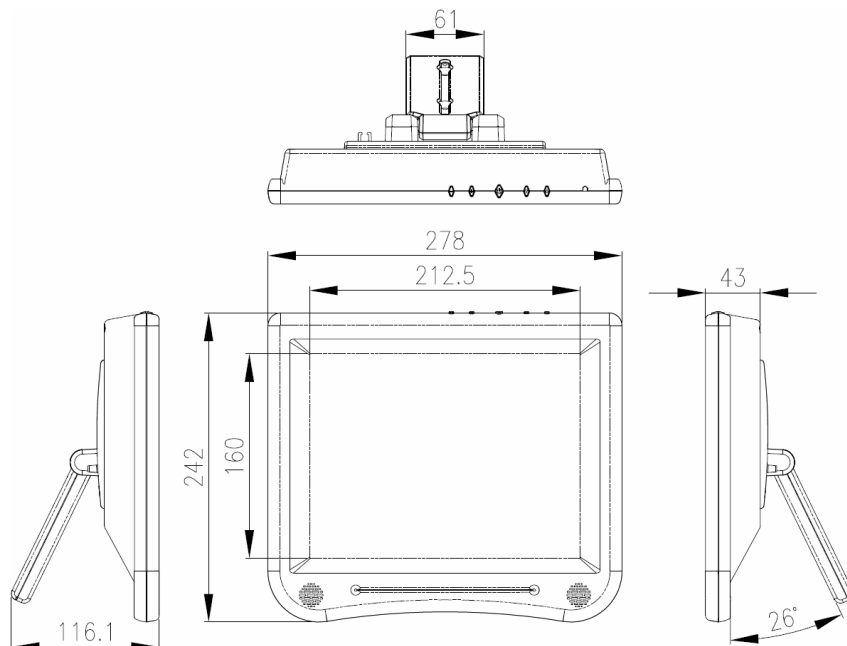
- ⊙ Digital Signal [DVI-D] input .
- ⊙ Video Signal input .
  - Signal Connector : RCA / S-Video
  - NTSC / PAL / SECAM video systems compatible .

### I / O Port



### Mechanical Drawing

Unit : mm



For more information please contact

Tel:+886-2-2264-1991 | Fax:+886-2-2264-7535 | www.GVISION.com.tw